

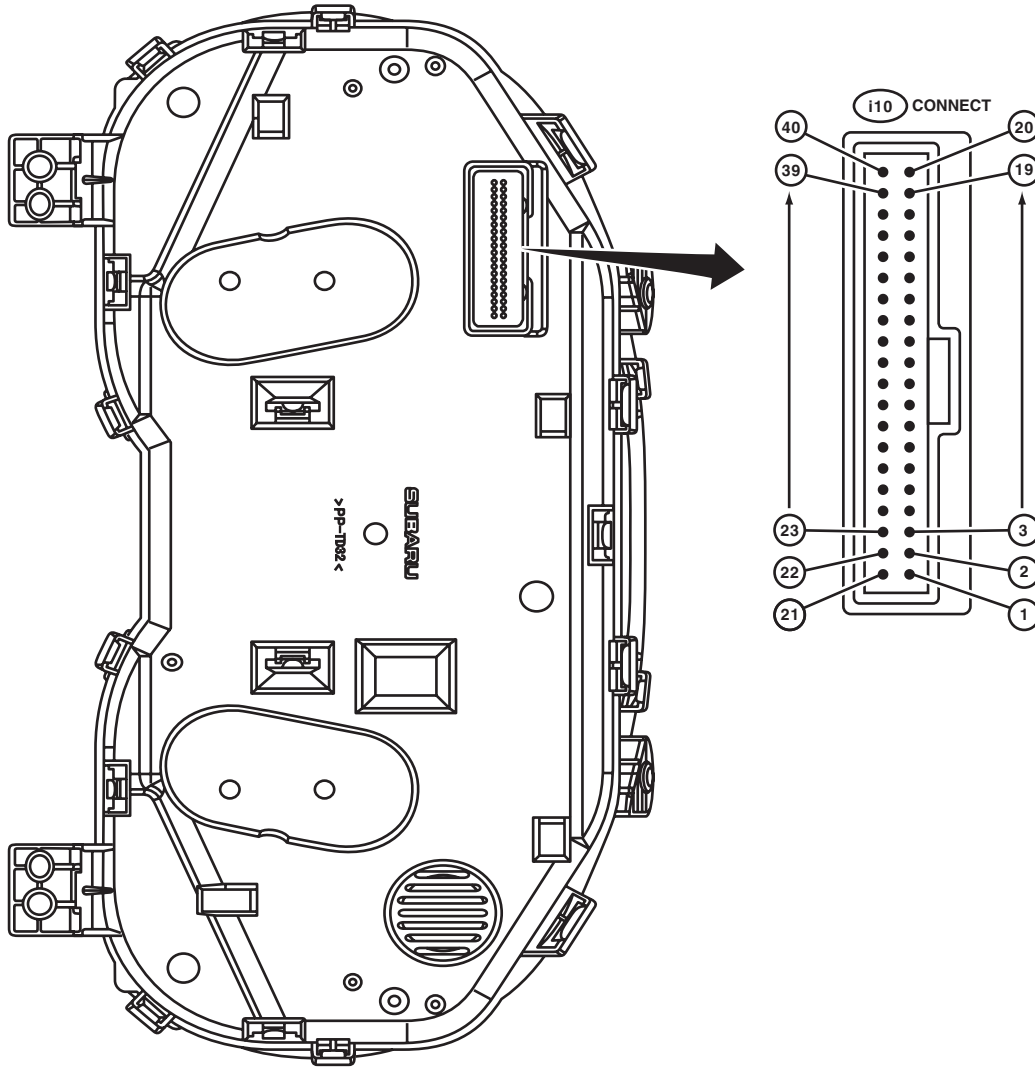
12. Combination Meter System

A: WIRING DIAGRAM

1. MODEL WITH NORMAL METER

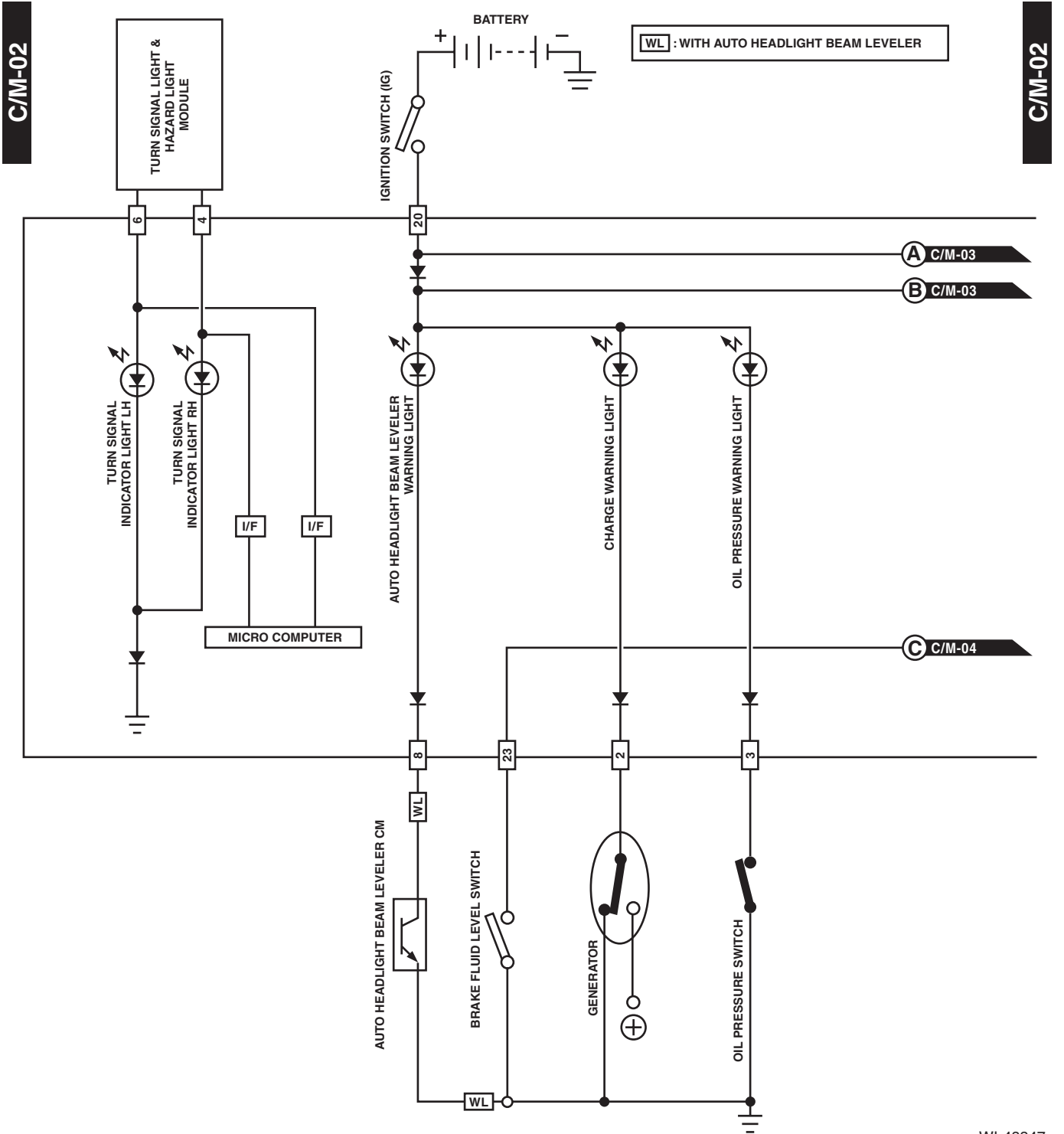
C/M-01

C/M-01



Combination Meter System

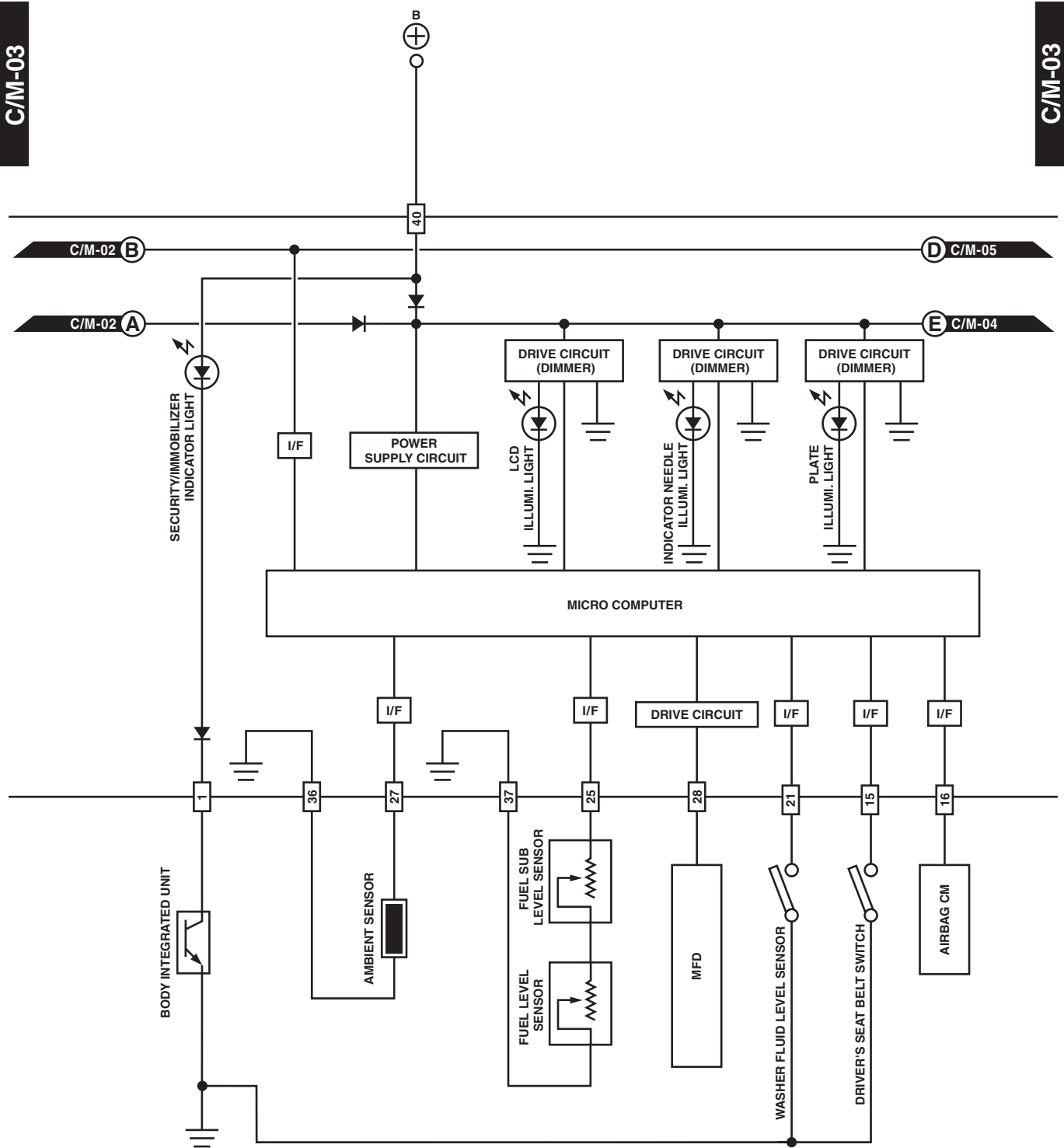
WIRING SYSTEM



WI-48347

Combination Meter System

WIRING SYSTEM



WI-48729

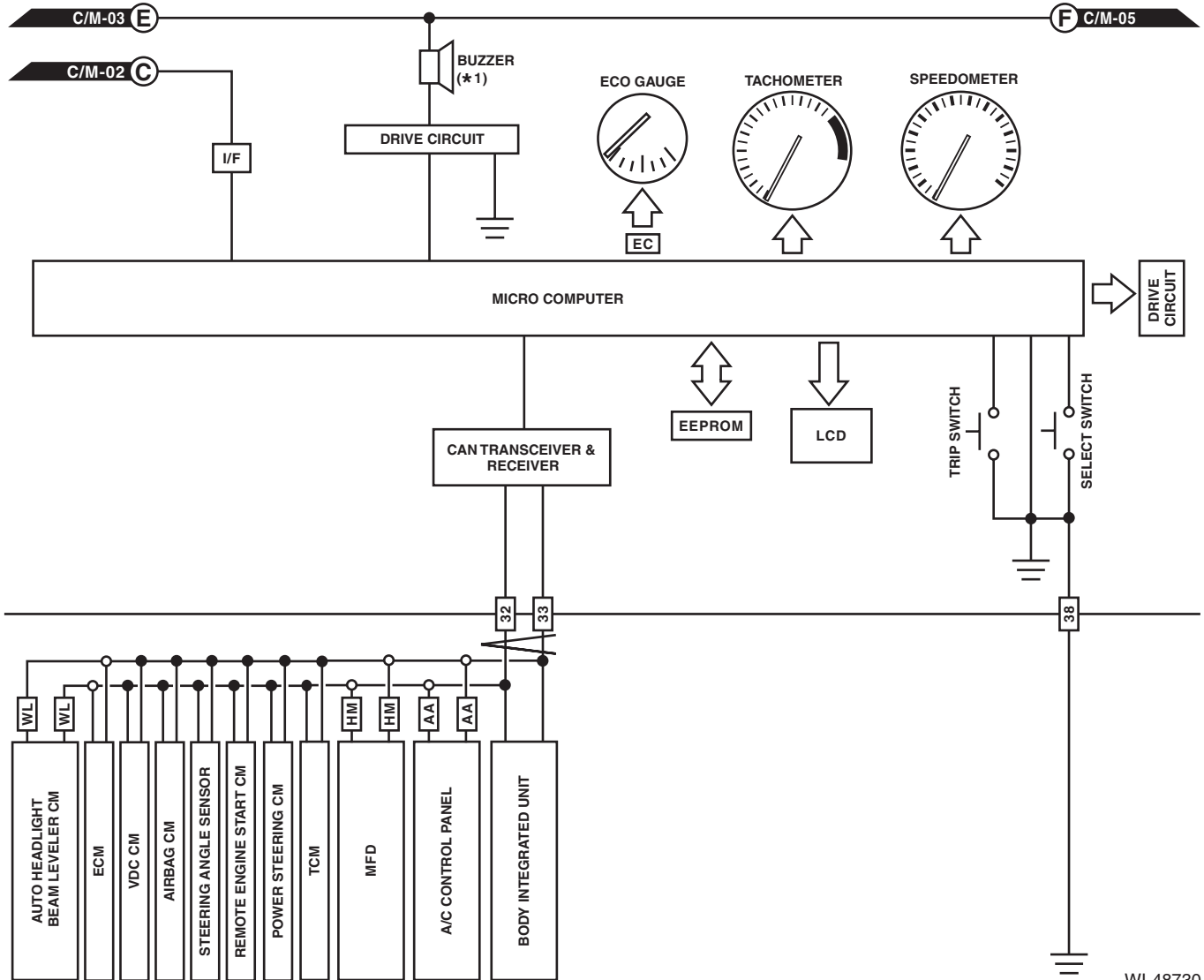
Combination Meter System

WIRING SYSTEM

C/M-04

- AA** : AUTO A/C
- HM** : HIGH GRADE MFD
- EC** : WITH ECO GAUGE
- WL** : WITH AUTO HEADLIGHT BEAM LEVELER
- *1 : SEAT BELT
KEY WARNING
HEADLIGHT ON WARNING
CUSTOMIZED
MANUAL SHIFT

C/M-04



WI-48730

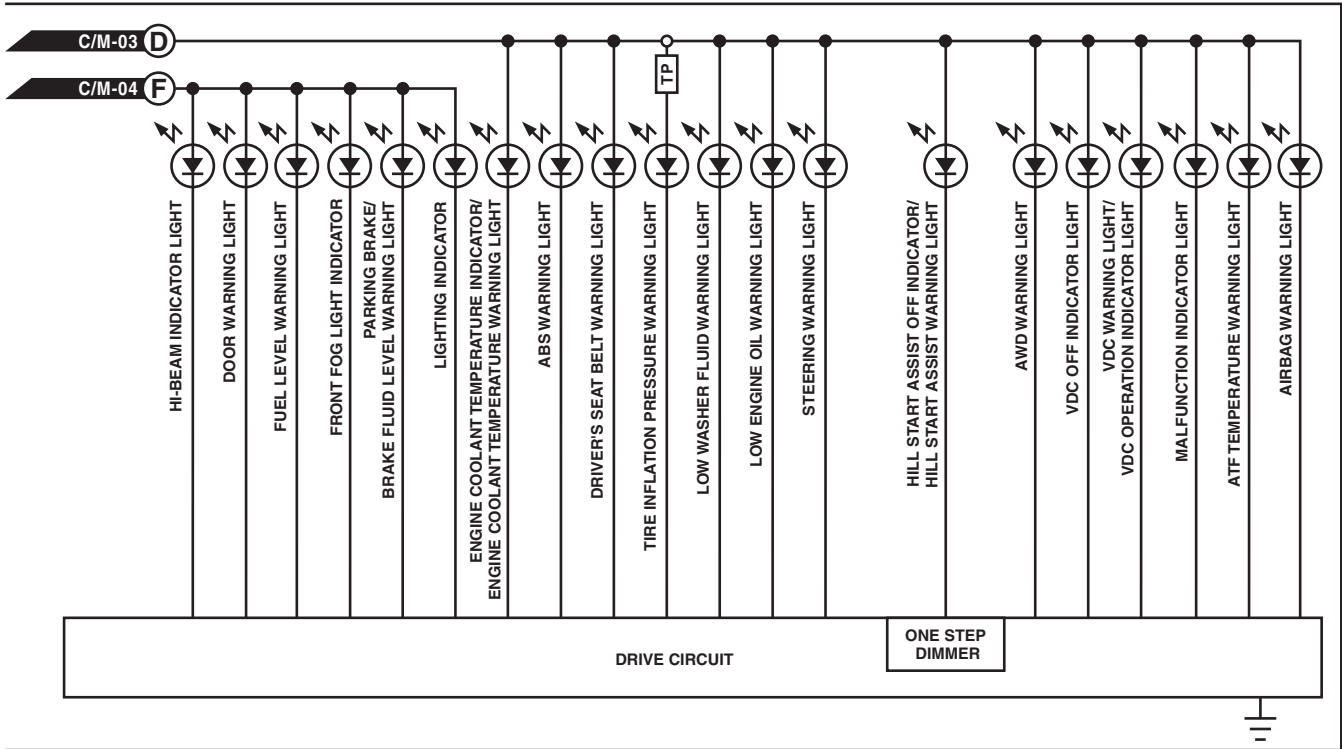
Combination Meter System

WIRING SYSTEM

C/M-05

C/M-05

TP : WITH TPMS



WI-48731

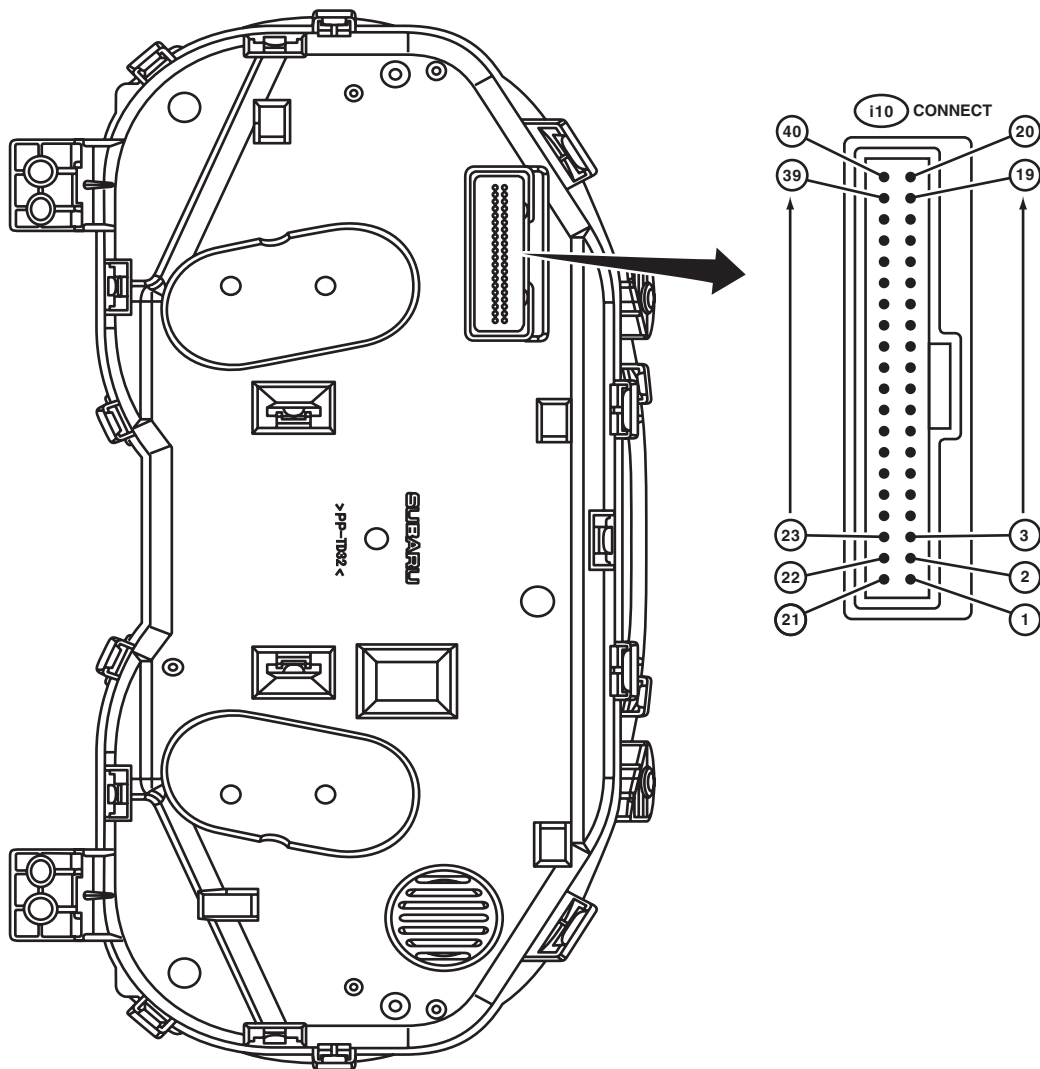
Combination Meter System

WIRING SYSTEM

2. MODEL WITH COLOR TFT METER

C/M(CM)-01

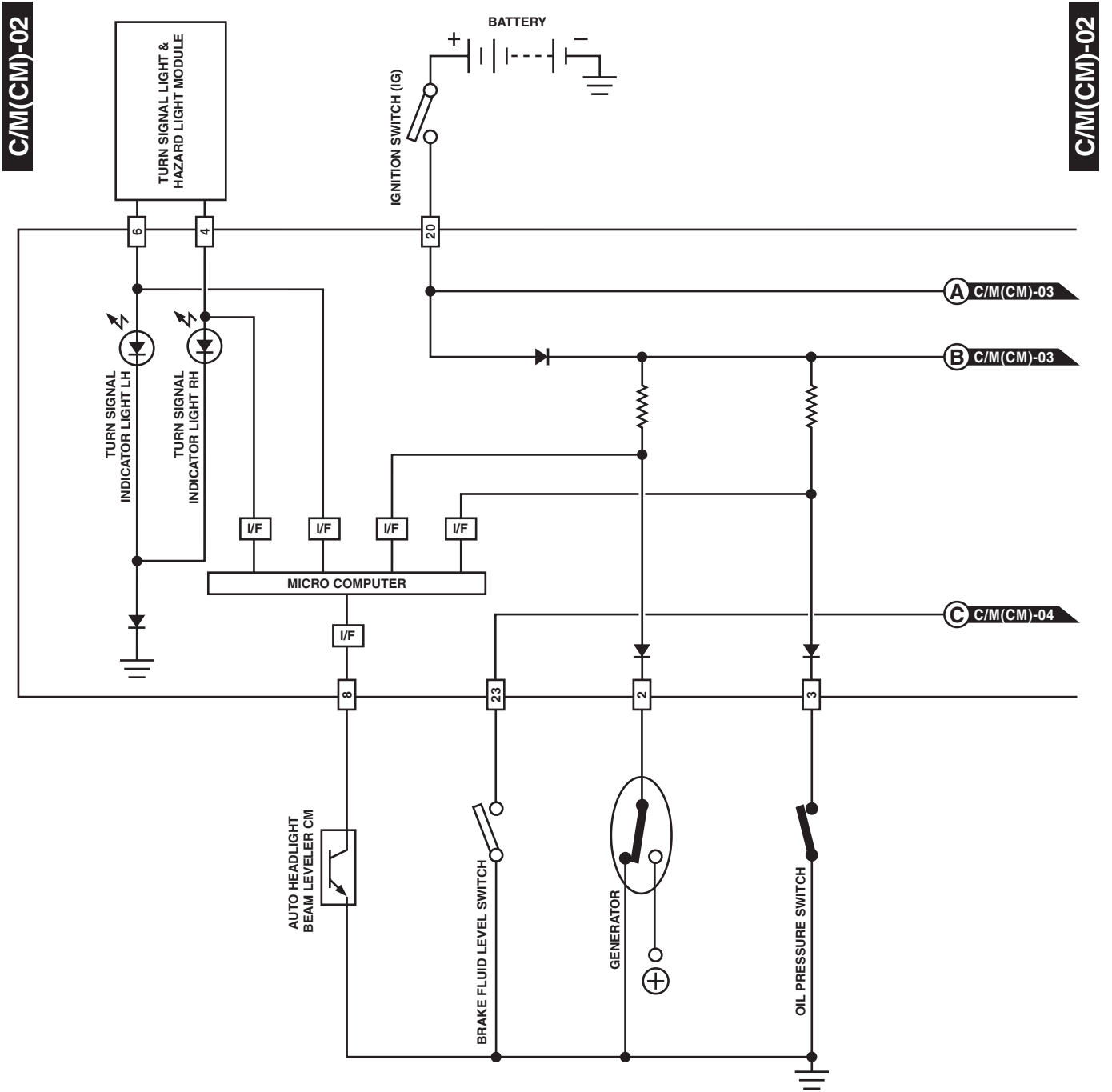
C/M(CM)-01



WI-48200

Combination Meter System

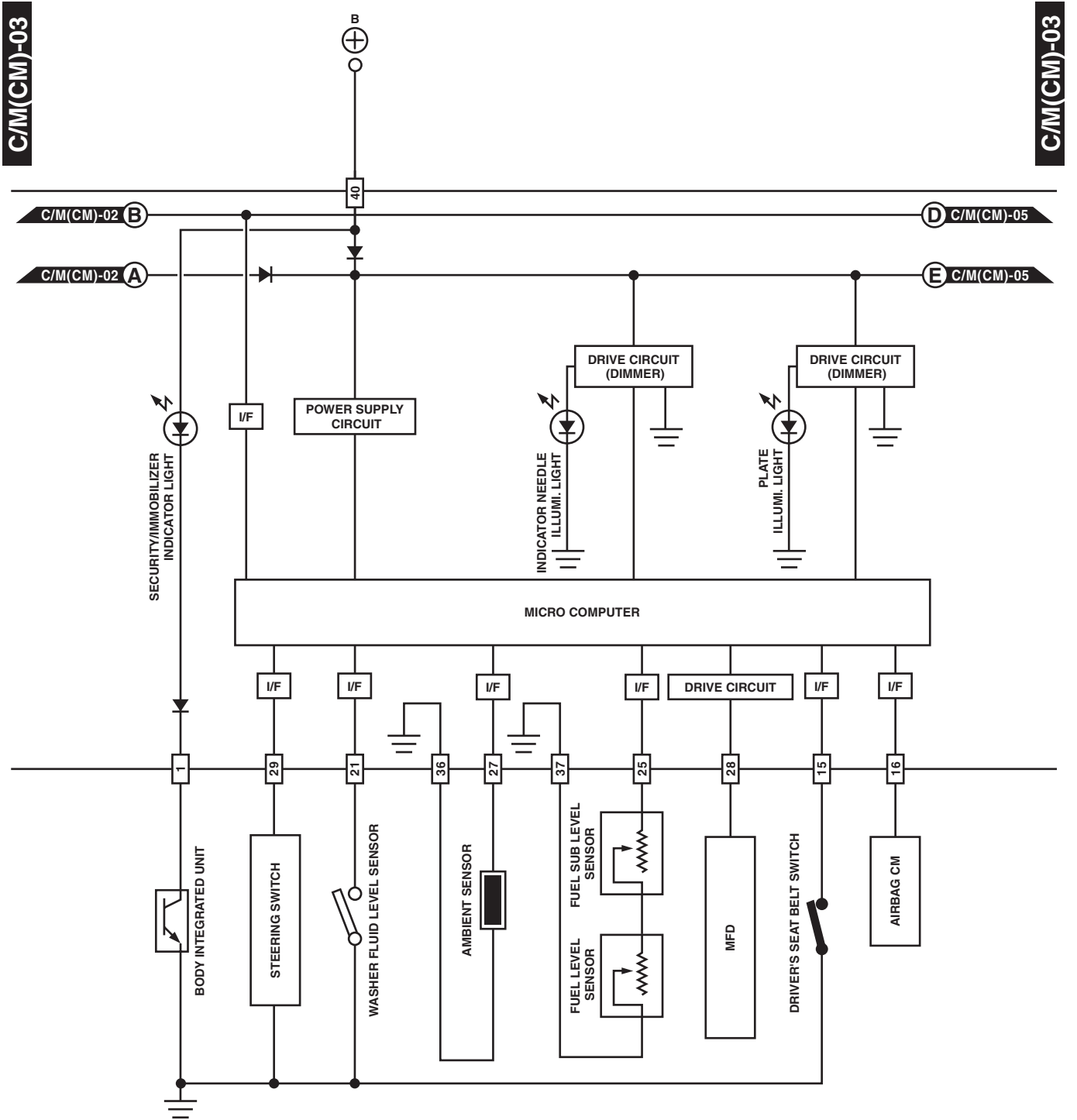
WIRING SYSTEM



WI-48201

Combination Meter System

WIRING SYSTEM



WI-48202

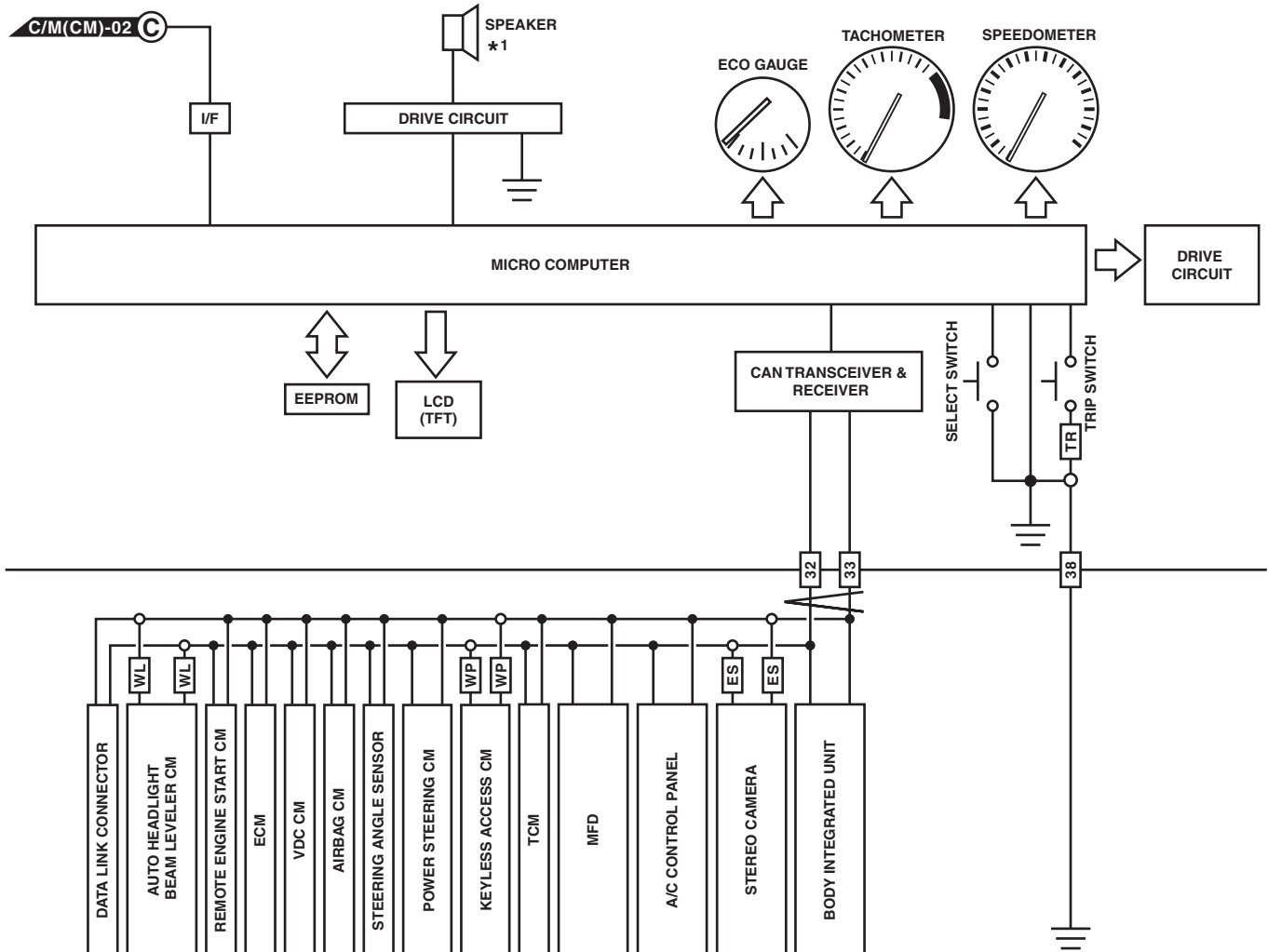
Combination Meter System

WIRING SYSTEM

C/M(CM)-04

C/M(CM)-04

- TR** : WITH TRIP SWITCH
- WP** : WITH PUSH BUTTON START
- WL** : WITH AUTO HEADLIGHT BEAM LEVELER
- ES** : WITH EyeSight
- *1 : SEAT BELT
KEY WARNING
HEADLIGHT ON WARNING
CUSTOMIZED
MANUAL SHIFT
KEYLESS ACCESS
EyeSight



WI-48203

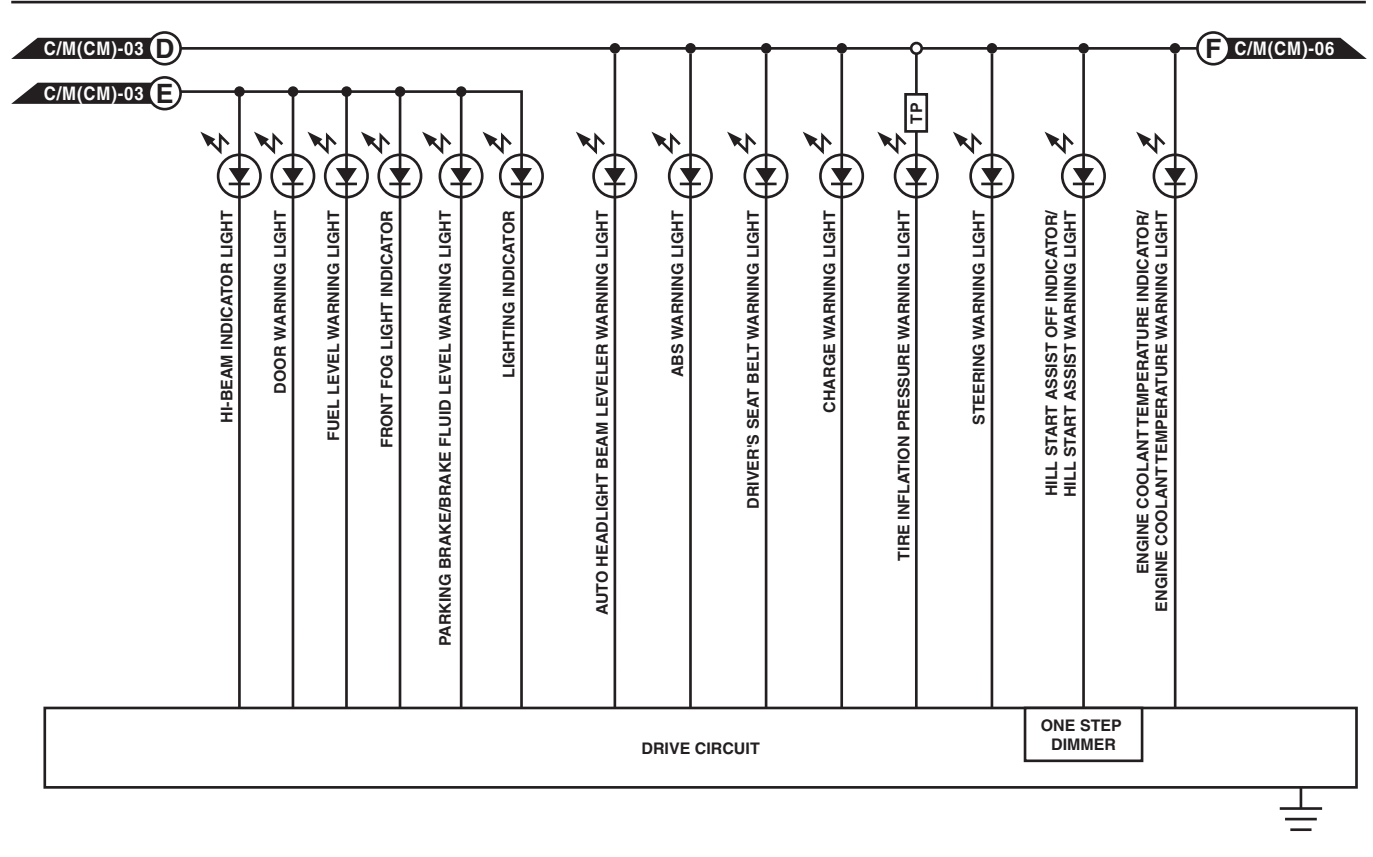
Combination Meter System

WIRING SYSTEM

C/M(CM)-05

C/M(CM)-05

TP : WITH TPMS



WI-48204

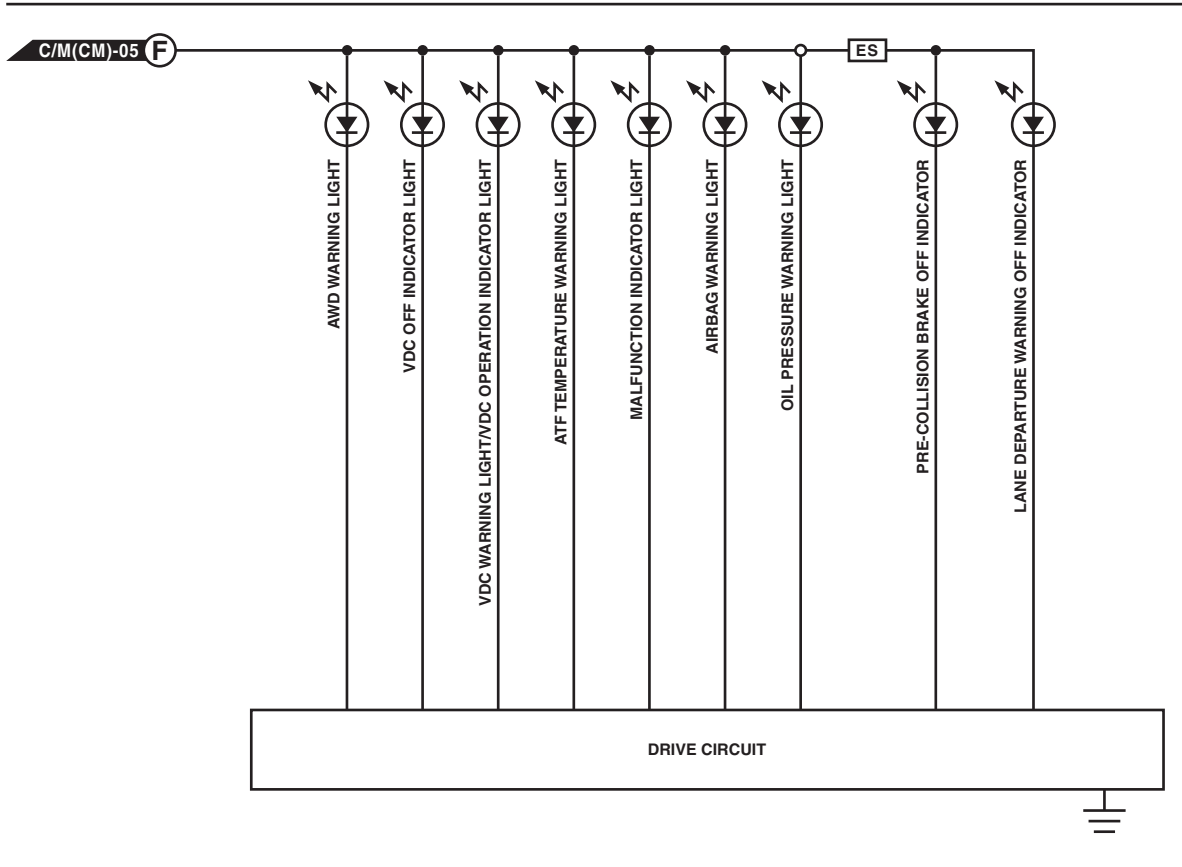
Combination Meter System

WIRING SYSTEM

C/M(CM)-06

C/M(CM)-06

ES : WITH EyeSight



WI-48205